

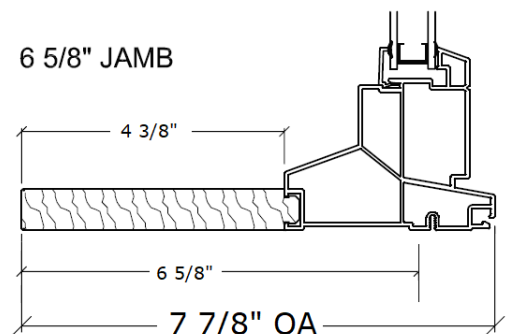
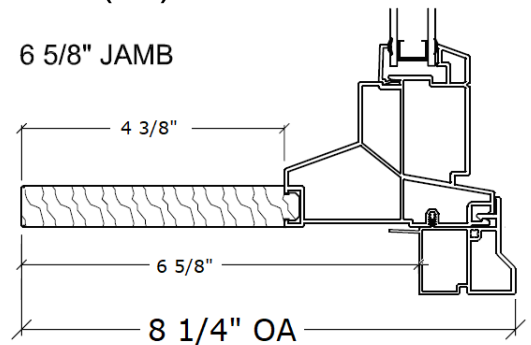
Understanding Window Jamb Depths

Window jamb depths are **entered into the quote (*1) using the measurement taken from BEHIND** the brickmould. When there is no brickmould, it is still measured from the same location **as if there was brickmould (*2).**

(*1)

Jamb	
Jamb Width	None-No Extension Applied
	None-No Extension Applied
	4 5/8"
	5 1/4"
	6 5/8"
	7 1/8"
	7 5/8"
	None-Drywall Return Applied
	Special Jamb Width

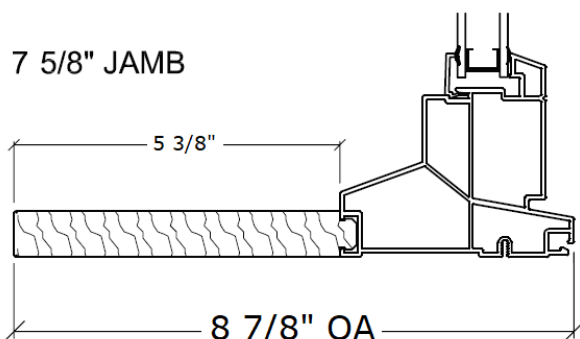
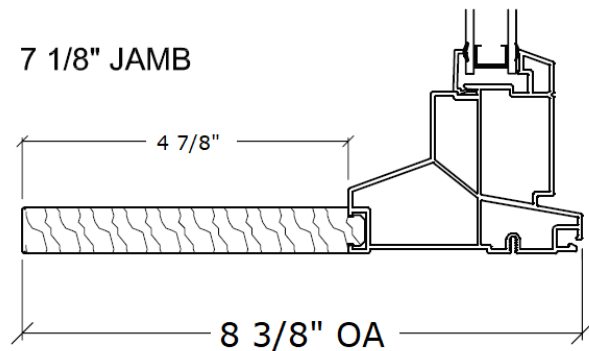
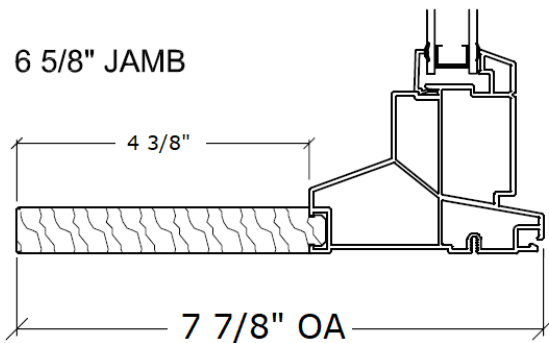
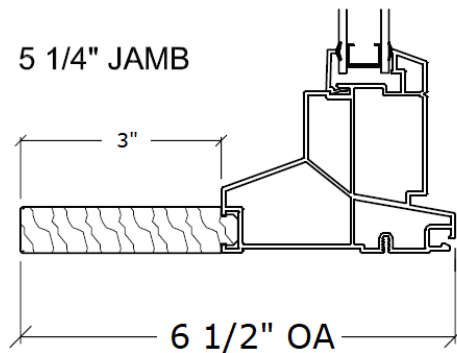
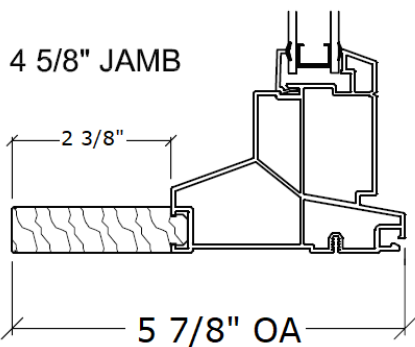
(*2)



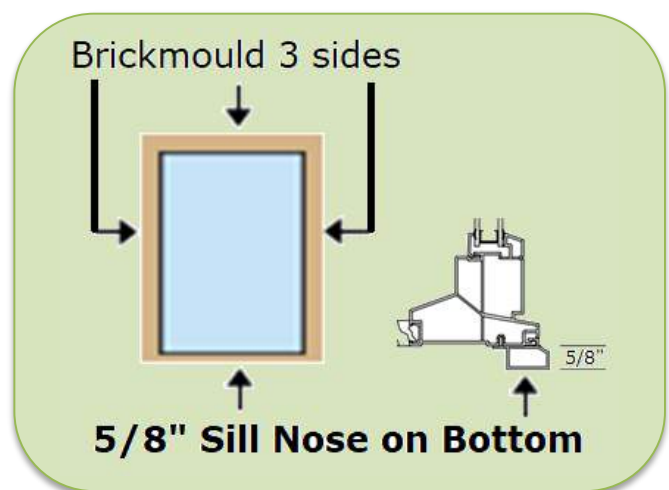
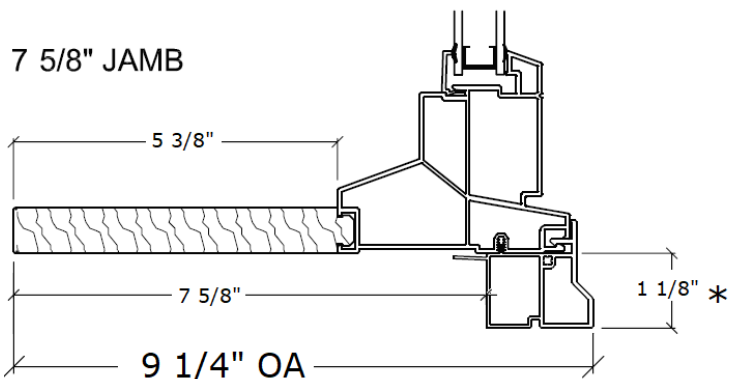
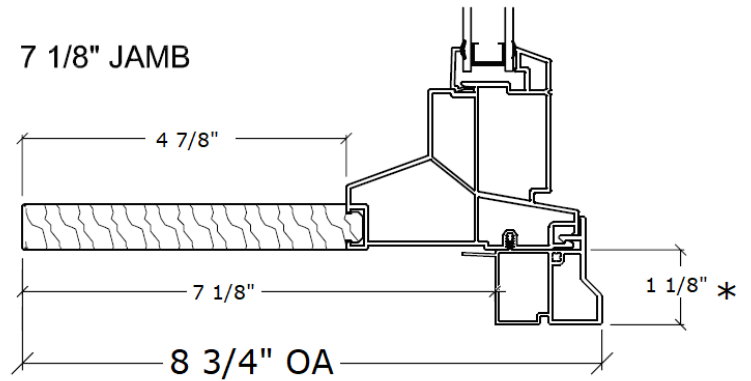
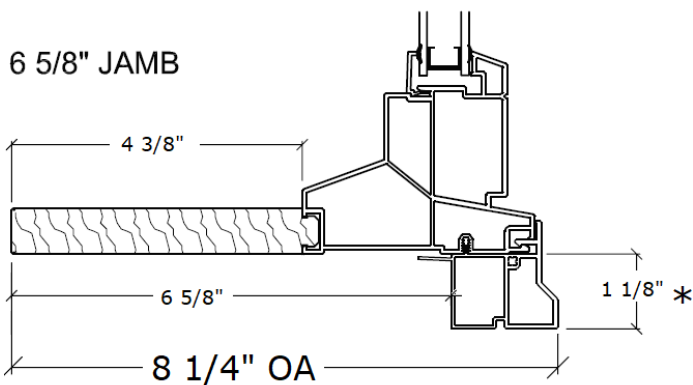
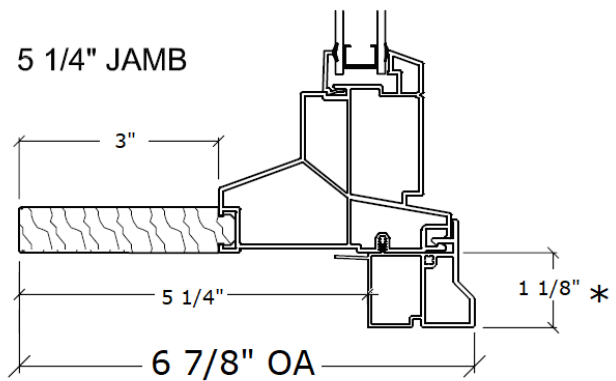
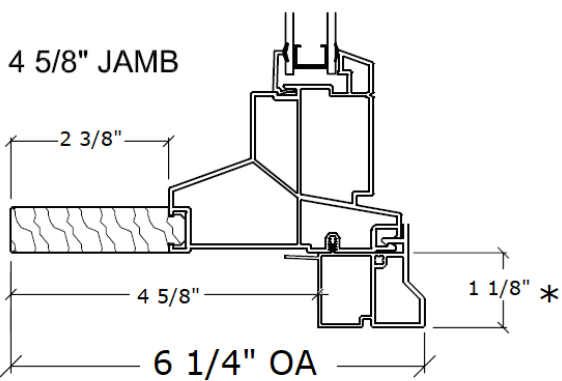
They are not ordered by Overall window depth or by the size of wood interior jamb extension.

The following pages will, **as reference material only**, for our standard jamb depths, provide you with the OA (Overall) depth and visible size of the wood interior jamb extension.

Advantage/Plus Vinyl Windows Standard Jamb Depths No Brickmould

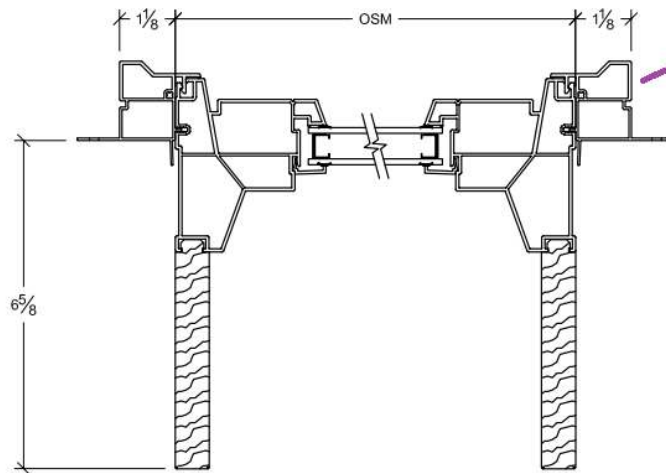


Advantage Vinyl Windows Standard Jamb Depths Brickmould 3 Sides* & 5/8" Sillnose

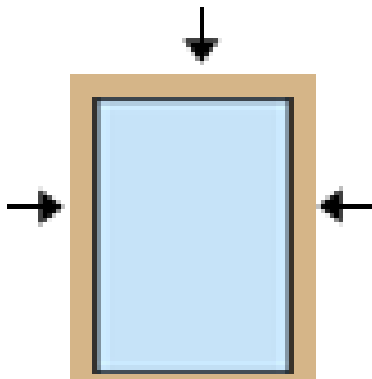


This page is for Advantage Vinyl 1 1/8" Brickmould. 3 1/2" also available Brickmould is applied to 3 sides with a 5/8" sillnose.

(Width) **HORIZONTAL**
(BM) Brickmould width = OSM + 2 1/4"

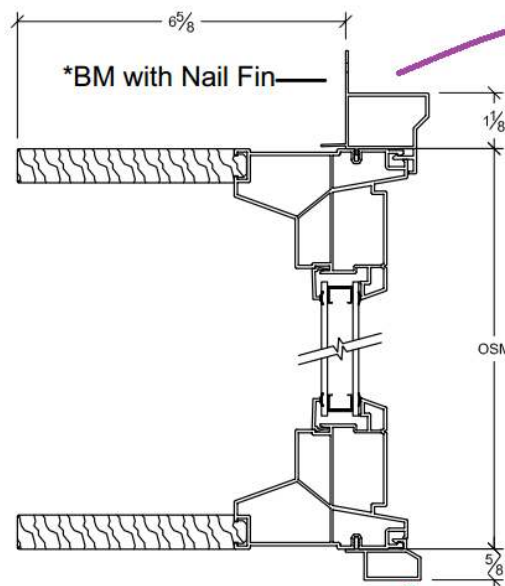


Brickmould 3 sides



OSM = Frame Size

(Height) **VERTICAL**
(BM) Brickmould height = OSM + 1 3/4"



BM top and sides

sill nose on bottom
5/8" Sill Nose

Sill nose on bottom