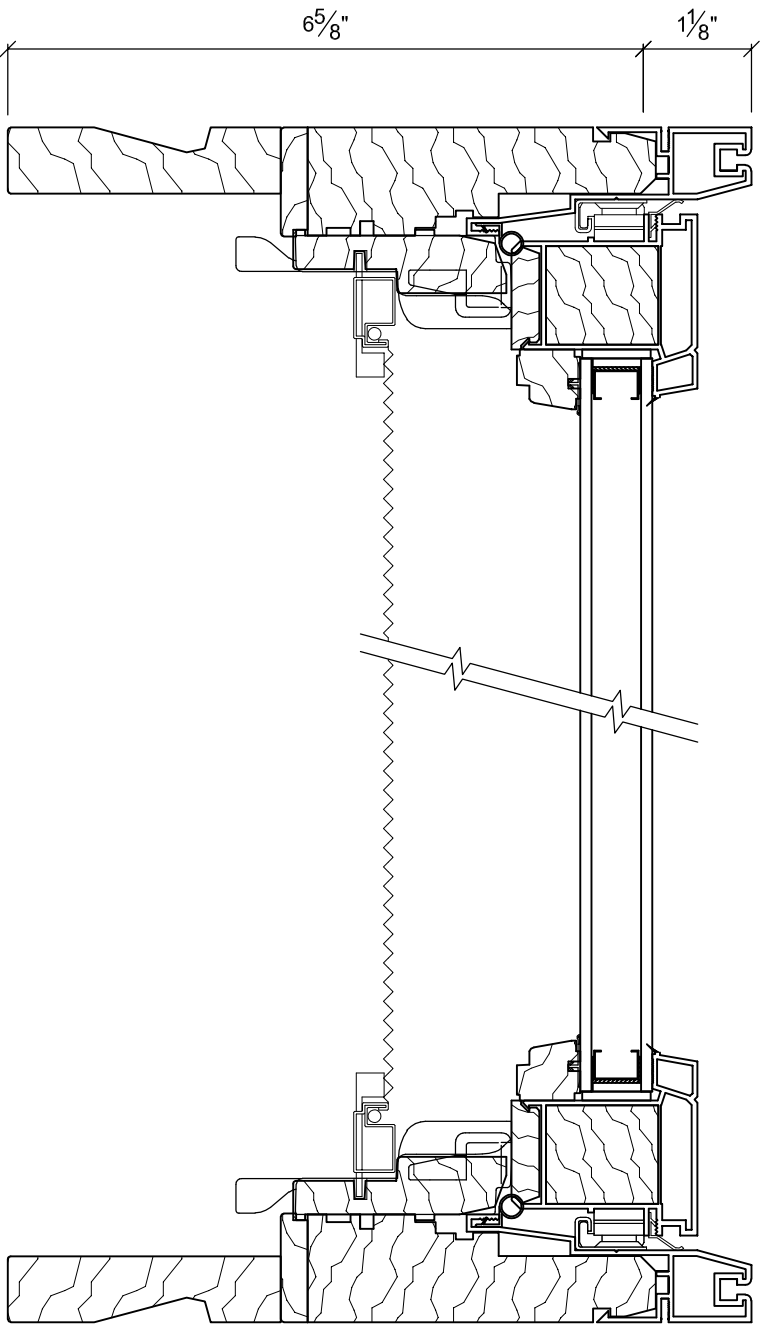


DATE:	4/21/2017
SCALE:	1:2
DRAWN BY:	A.V.
DRAWING NAME:	LCA - 6 5/8" JAMB EXTENSION - VERTICAL



POLLARD WINDOWS INC.
 1217 KING ROAD
 BURLINGTON, ON
 L7R 3Y3

THIS DOCUMENT IS THE INTELLECTUAL PROPERTY OF POLLARD WINDOWS INC.
 IT MAY NOT BE COPIED, MODIFIED OR PASSED ON TO THIRD PARTIES WITHOUT WRITTEN PERMISSION.



DATE: 4/21/2017

SCALE: 1:2

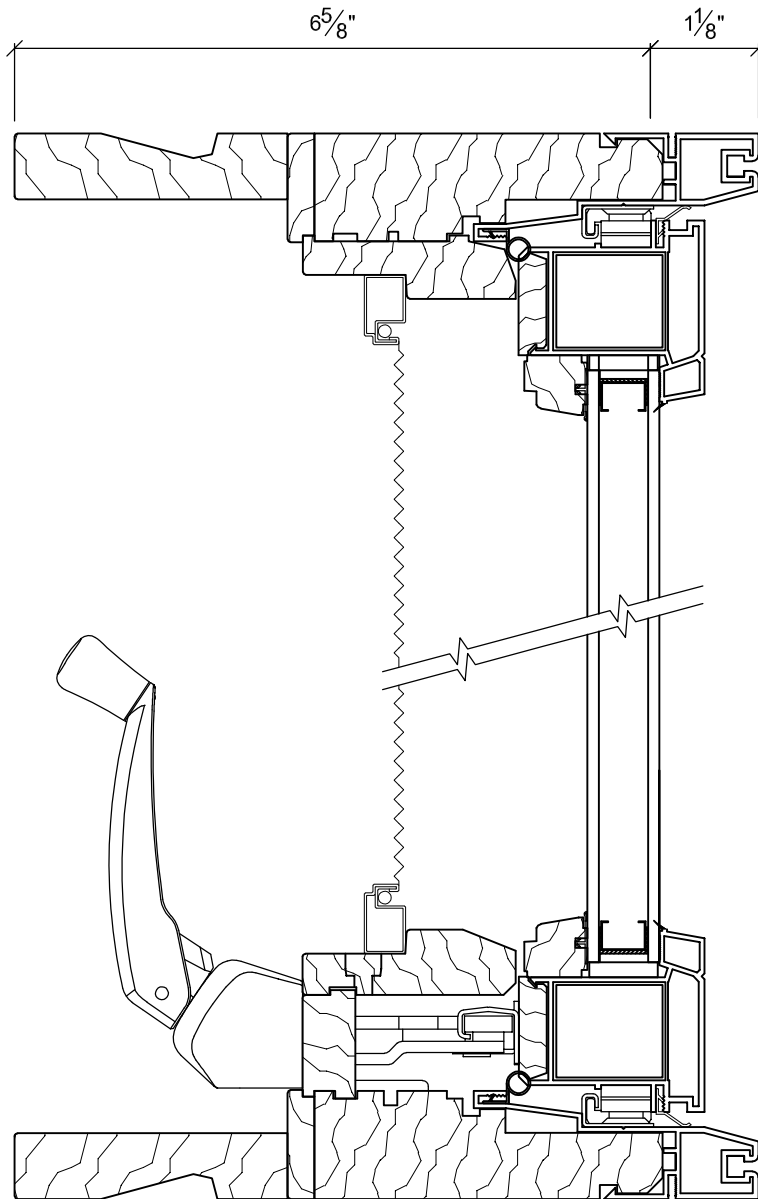
DRAWN BY: A.V.

DRAWING NAME: LCA - 6 5/8" JAMB EXTENSION - HORIZONTAL



POLLARD WINDOWS INC.
1217 KING ROAD
BURLINGTON, ON
L7R 3Y3

THIS DOCUMENT IS THE INTELLECTUAL PROPERTY OF POLLARD WINDOWS INC.
IT MAY NOT BE COPIED, MODIFIED OR PASSED ON TO THIRD PARTIES WITHOUT WRITTEN PERMISSION.

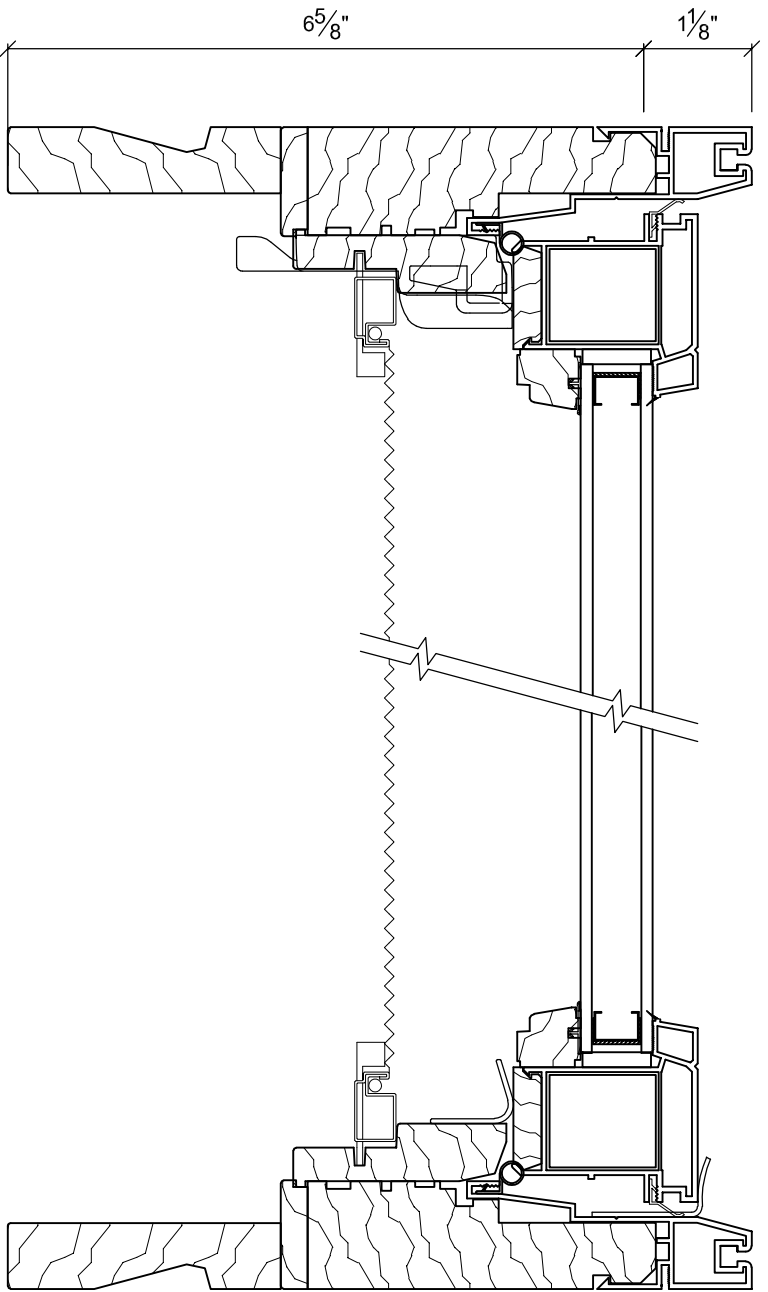


DATE:	4/21/2017
SCALE:	1:2
DRAWN BY:	A.V.
DRAWING NAME:	LTU - 6 5/8" JAMB EXTENSION - VERTICAL



POLLARD WINDOWS INC.
 1217 KING ROAD
 BURLINGTON, ON
 L7R 3Y3

THIS DOCUMENT IS THE INTELLECTUAL PROPERTY OF POLLARD WINDOWS INC.
 IT MAY NOT BE COPIED, MODIFIED OR PASSED ON TO THIRD PARTIES WITHOUT WRITTEN PERMISSION.



DATE: 4/21/2017

SCALE: 1:2

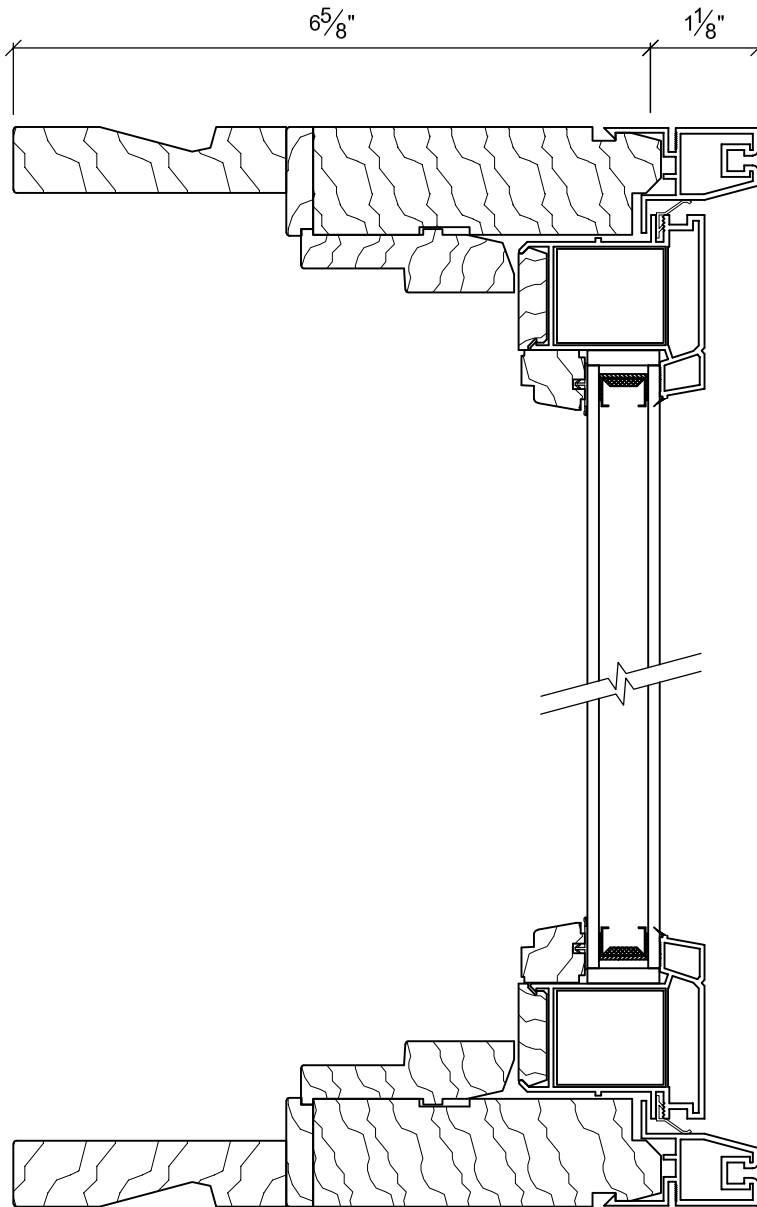
DRAWN BY: A.V.

DRAWING NAME: LTU - 6 5/8" JAMB EXTENSION - HORIZONTAL



POLLARD WINDOWS INC.
 1217 KING ROAD
 BURLINGTON, ON
 L7R 3Y3

THIS DOCUMENT IS THE INTELLECTUAL PROPERTY OF POLLARD WINDOWS INC.
 IT MAY NOT BE COPIED, MODIFIED OR PASSED ON TO THIRD PARTIES WITHOUT WRITTEN PERMISSION.

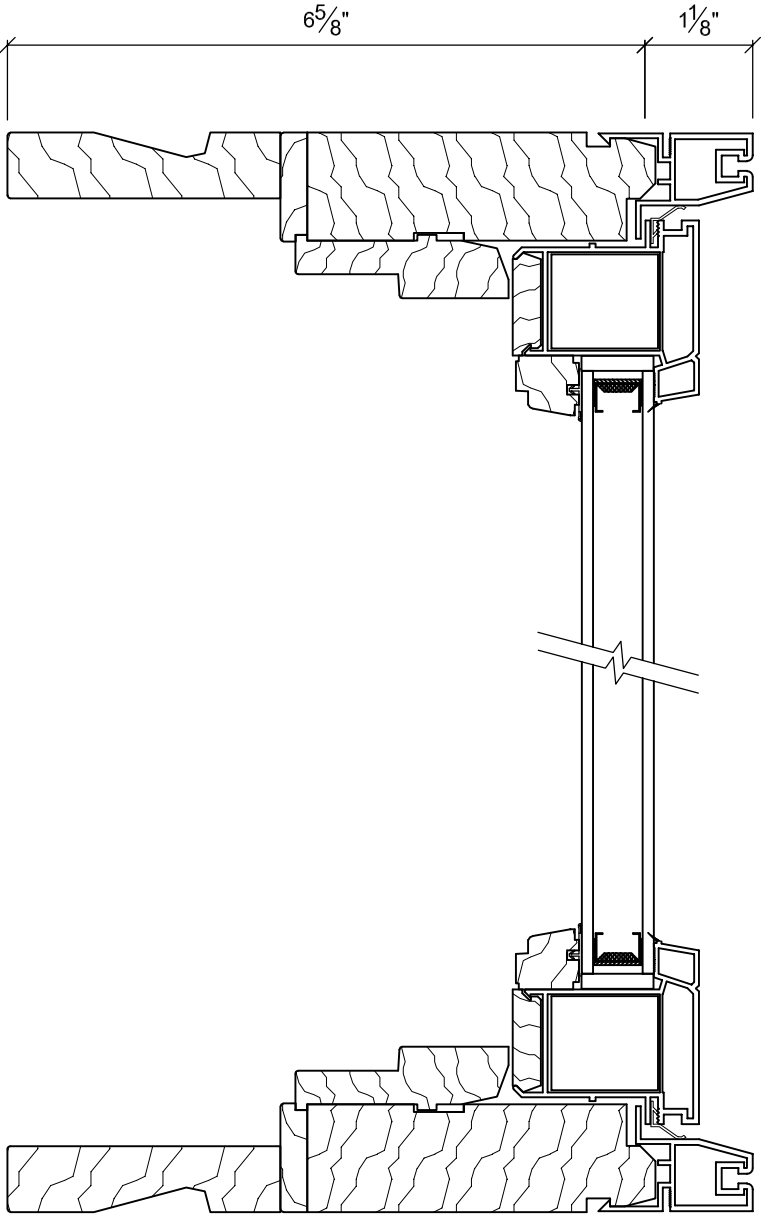


DATE:	4/21/2017
SCALE:	1:2
DRAWN BY:	A.V.
DRAWING NAME:	LFL - 6 5/8" JAMB EXTENSION - VERTICAL



POLLARD WINDOWS INC.
 1217 KING ROAD
 BURLINGTON, ON
 L7R 3Y3

THIS DOCUMENT IS THE INTELLECTUAL PROPERTY OF POLLARD WINDOWS INC.
 IT MAY NOT BE COPIED, MODIFIED OR PASSED ON TO THIRD PARTIES WITHOUT WRITTEN PERMISSION.



DATE: 4/21/2017

SCALE: 1:2

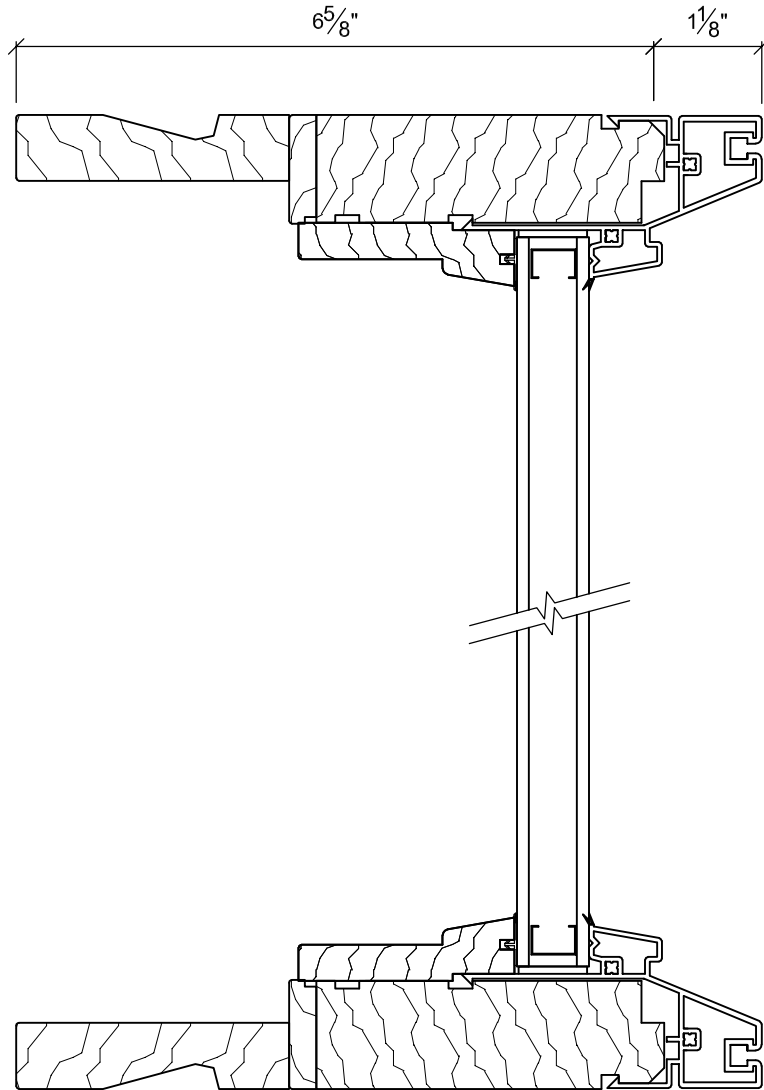
DRAWN BY: A.V.

DRAWING NAME: LFL - 6 5/8" JAMB EXTENSION - HORIZONTAL



POLLARD WINDOWS INC.
 1217 KING ROAD
 BURLINGTON, ON
 L7R 3Y3

THIS DOCUMENT IS THE INTELLECTUAL PROPERTY OF POLLARD WINDOWS INC.
 IT MAY NOT BE COPIED, MODIFIED OR PASSED ON TO THIRD PARTIES WITHOUT WRITTEN PERMISSION.

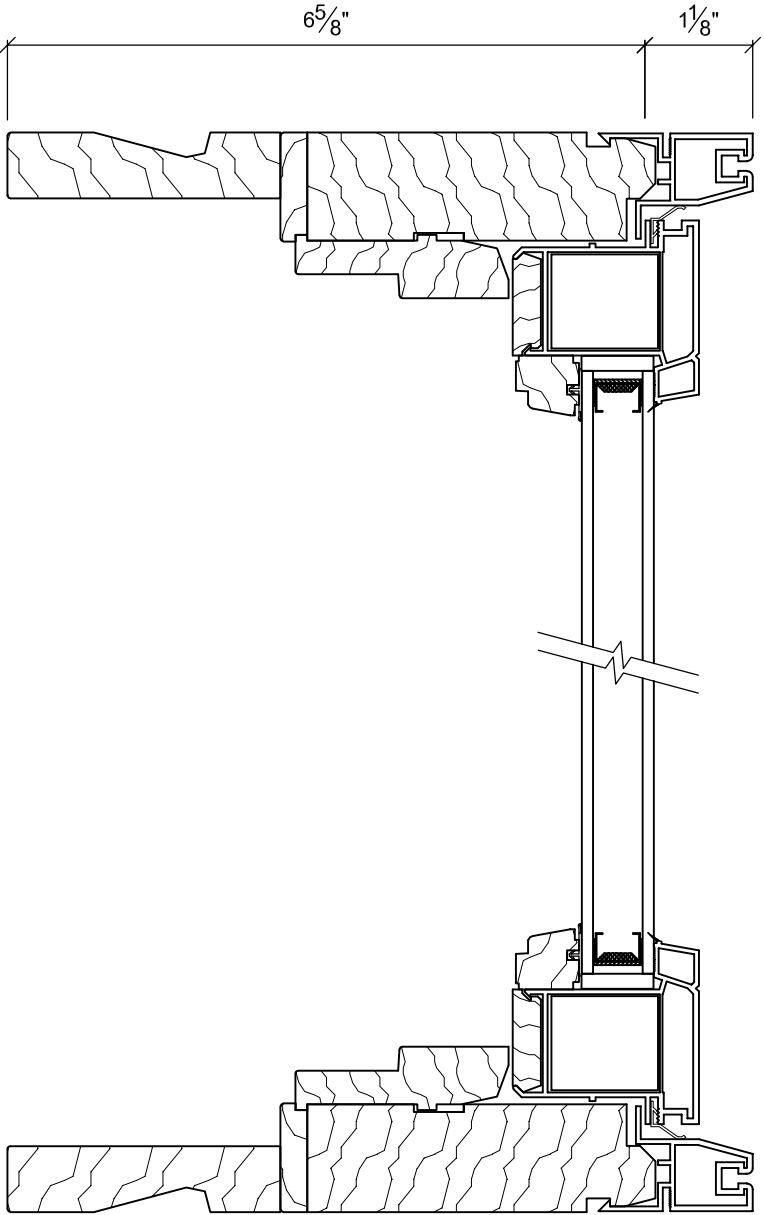


DATE:	4/21/2017
SCALE:	1:2
DRAWN BY:	A.V.
DRAWING NAME:	LFF - 6 5/8" JAMB EXTENSION - VERTICAL



POLLARD WINDOWS INC.
 1217 KING ROAD
 BURLINGTON, ON
 L7R 3Y3

THIS DOCUMENT IS THE INTELLECTUAL PROPERTY OF POLLARD WINDOWS INC.
 IT MAY NOT BE COPIED, MODIFIED OR PASSED ON TO THIRD PARTIES WITHOUT WRITTEN PERMISSION.



DATE: 4/21/2017

SCALE: 1:2

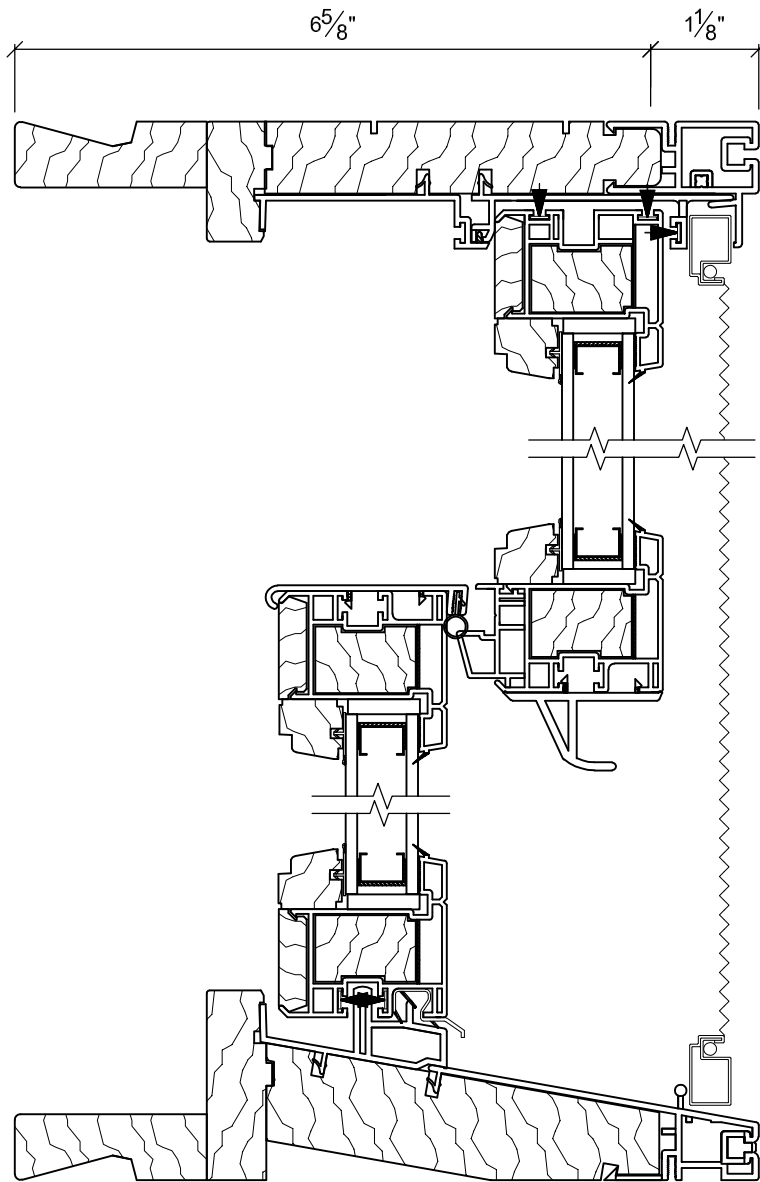
DRAWN BY: A.V.

DRAWING NAME: LFF - 6 5/8" JAMB EXTENSION - HORIZONTAL



POLLARD WINDOWS INC.
 1217 KING ROAD
 BURLINGTON, ON
 L7R 3Y3

THIS DOCUMENT IS THE INTELLECTUAL PROPERTY OF POLLARD WINDOWS INC.
 IT MAY NOT BE COPIED, MODIFIED OR PASSED ON TO THIRD PARTIES WITHOUT WRITTEN PERMISSION.

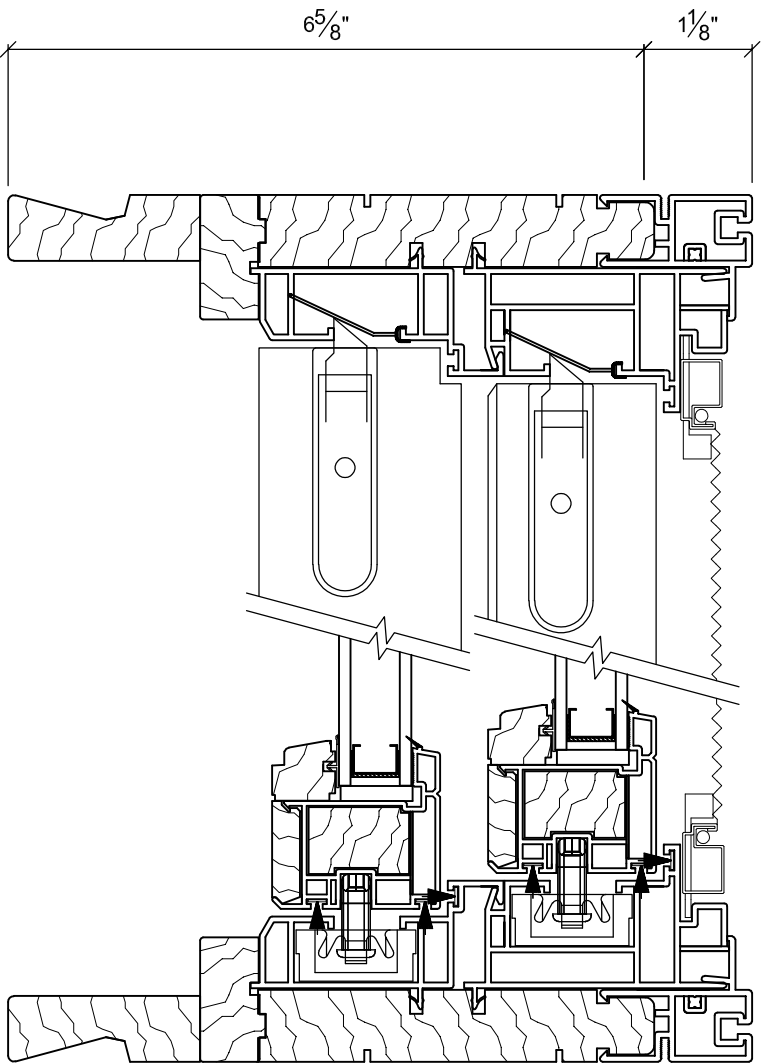


DATE:	10/3/2016
SCALE:	1:2
DRAWN BY:	A.V.
DRAWING NAME:	LTW - 6 5/8" JAMB EXTENSION - VERTICAL



POLLARD WINDOWS INC.
 1217 KING ROAD
 BURLINGTON, ON
 L7R 3Y3

THIS DOCUMENT IS THE INTELLECTUAL PROPERTY OF POLLARD WINDOWS INC.
 IT MAY NOT BE COPIED, MODIFIED OR PASSED ON TO THIRD PARTIES WITHOUT WRITTEN PERMISSION.



DATE: 10/3/2016

SCALE: 1:2

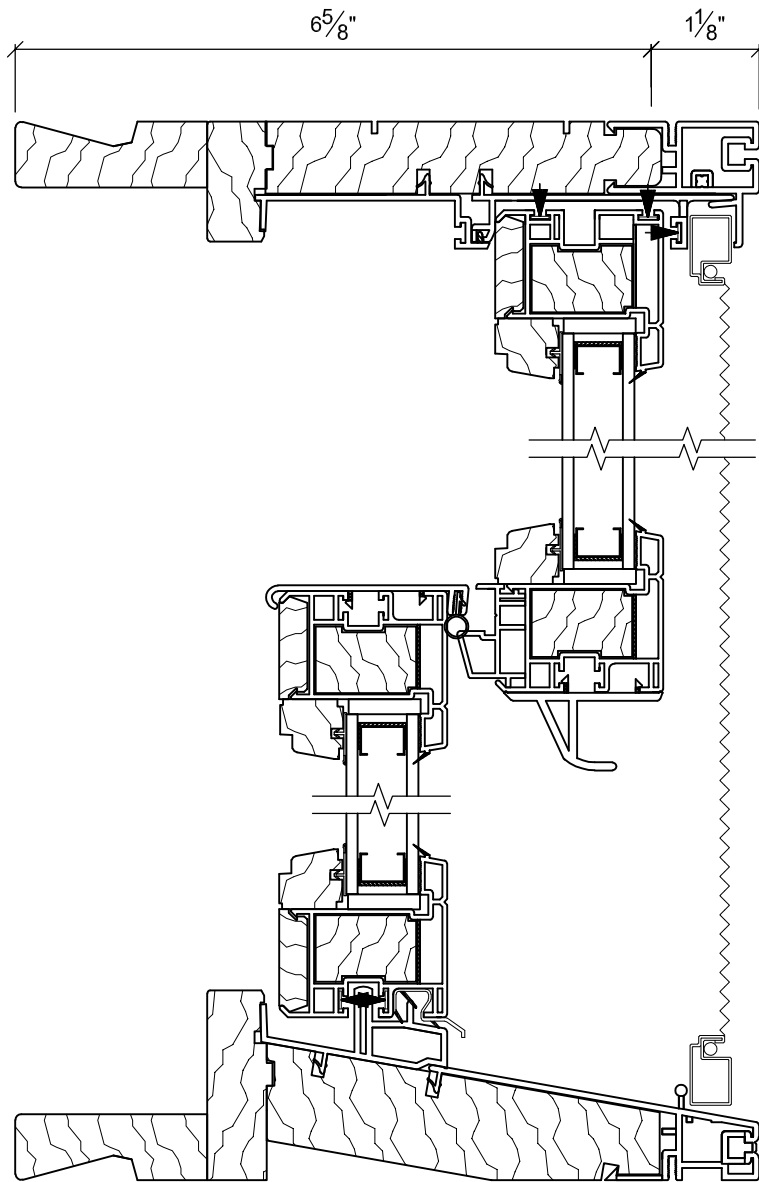
DRAWN BY: A.V.

DRAWING NAME: LTW - 6 5/8" JAMB EXTENSION - HORIZONTAL



POLLARD WINDOWS INC.
 1217 KING ROAD
 BURLINGTON, ON
 L7R 3Y3

THIS DOCUMENT IS THE INTELLECTUAL PROPERTY OF POLLARD WINDOWS INC.
 IT MAY NOT BE COPIED, MODIFIED OR PASSED ON TO THIRD PARTIES WITHOUT WRITTEN PERMISSION.



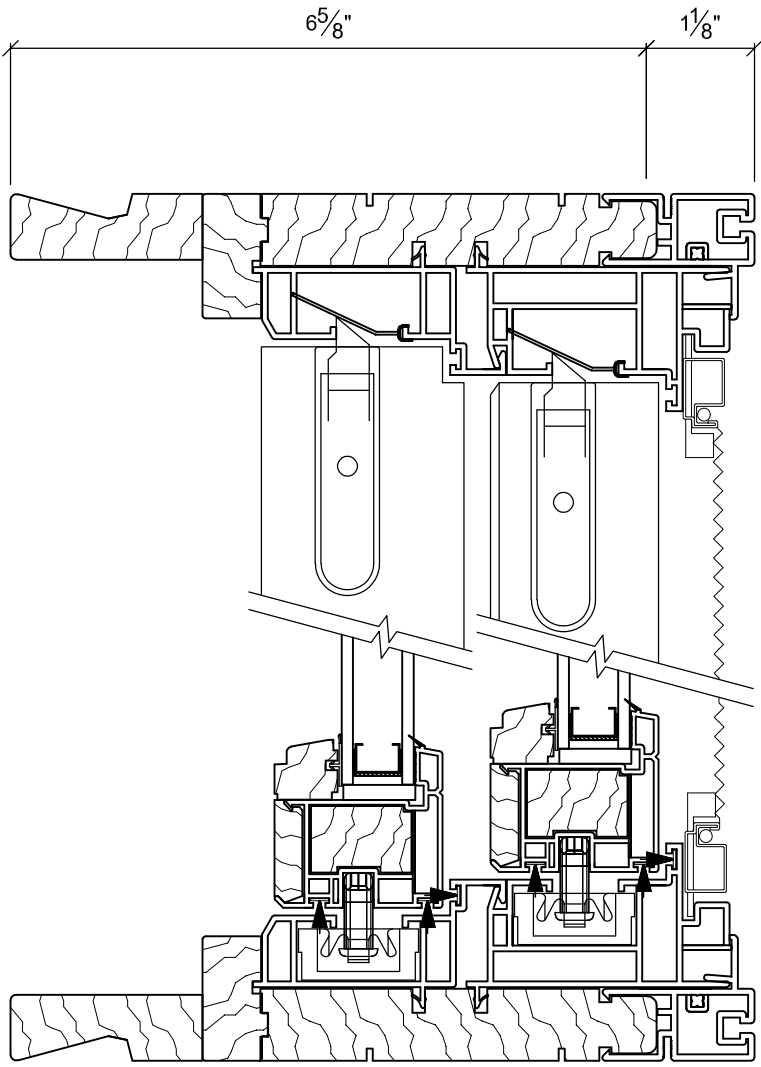
SAME AS LTW - TOP SASH IS NAILED TO WINDOW FRAME

DATE:	10/3/2016
SCALE:	1:2
DRAWN BY:	A.V.
DRAWING NAME:	LSH - 6 5/8" JAMB EXTENSION - VERTICAL



POLLARD WINDOWS INC.
 1217 KING ROAD
 BURLINGTON, ON
 L7R 3Y3

THIS DOCUMENT IS THE INTELLECTUAL PROPERTY OF POLLARD WINDOWS INC.
 IT MAY NOT BE COPIED, MODIFIED OR PASSED ON TO THIRD PARTIES WITHOUT WRITTEN PERMISSION.



SAME AS LTW - TOP SASH IS NAILED TO WINDOW FRAME

DATE:	10/3/2016
SCALE:	1:2
DRAWN BY:	A.V.
DRAWING NAME:	LSH - 6 5/8" JAMB EXTENSION - HORIZONTAL



POLLARD WINDOWS INC.
 1217 KING ROAD
 BURLINGTON, ON
 L7R 3Y3

THIS DOCUMENT IS THE INTELLECTUAL PROPERTY OF POLLARD WINDOWS INC. IT MAY NOT BE COPIED, MODIFIED OR PASSED ON TO THIRD PARTIES WITHOUT WRITTEN PERMISSION.