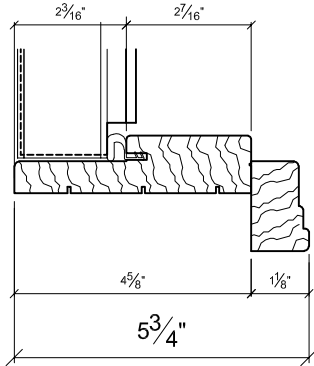


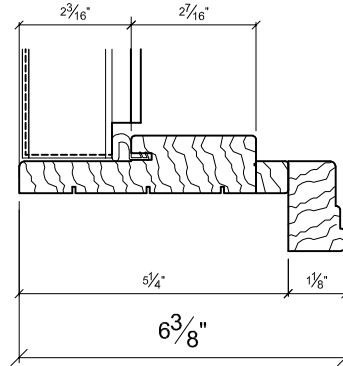
Ultraprime Polardor Swinging Doors with Brickmold Standard Jamb Depths

Date:
12/18/2018

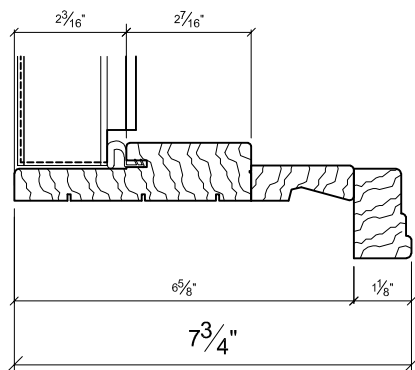
4 5/8" JAMB



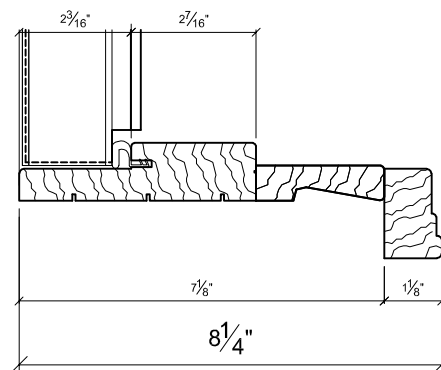
5 1/4" JAMB



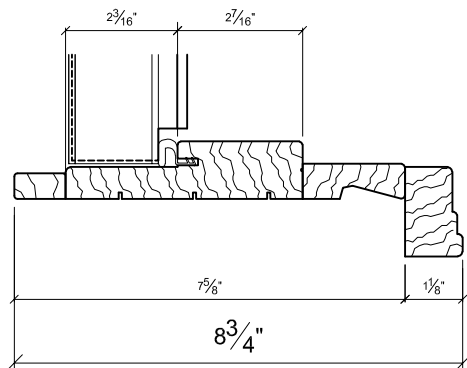
6 5/8" JAMB



7 1/8" JAMB



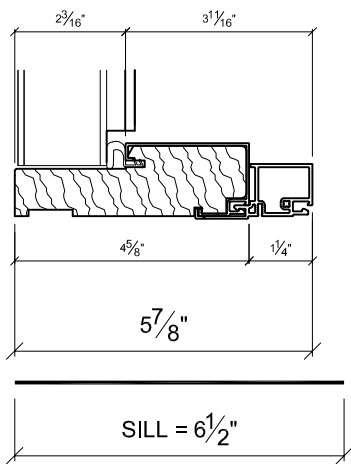
7 5/8" JAMB



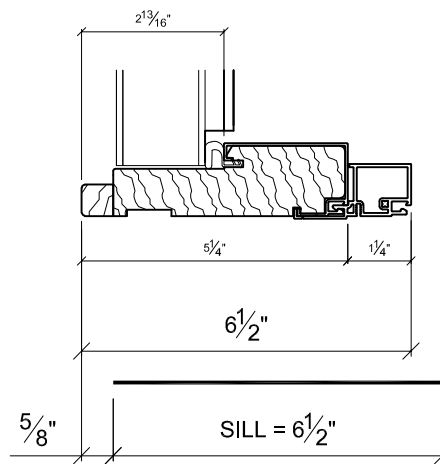
Liberty Polardor Swinging Doors NO Brickmold
Standard Jamb Depths

Date:
12/18/2018

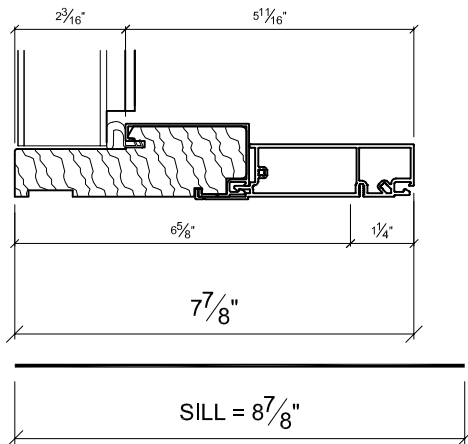
4 5/8" JAMB



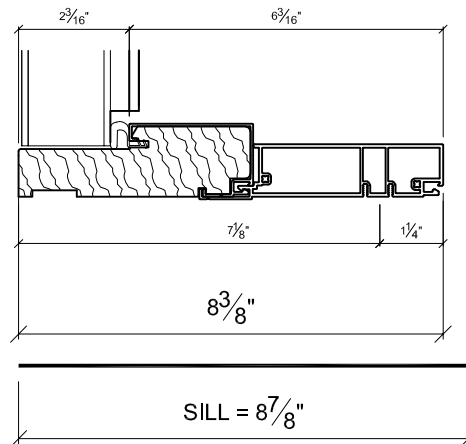
5 1/4" JAMB



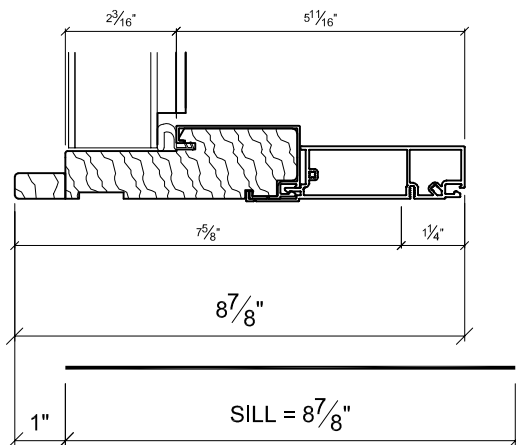
6 5/8" JAMB



7 1/8" JAMB



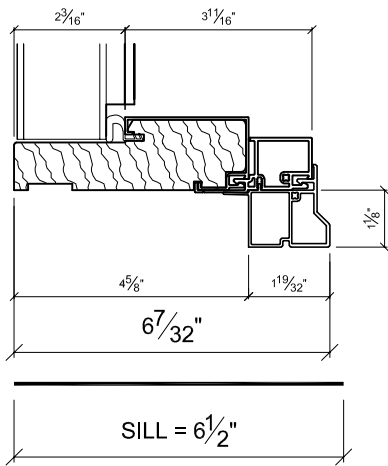
7 5/8" JAMB



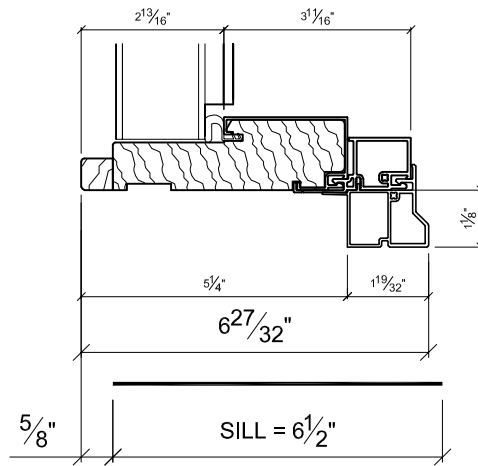
Liberty Polardor Swinging Doors with Brickmold Standard Jamb Depths

Date:
12/18/2018

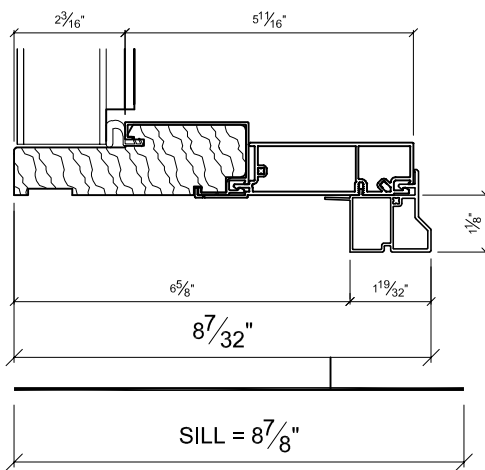
4 5/8" JAMB



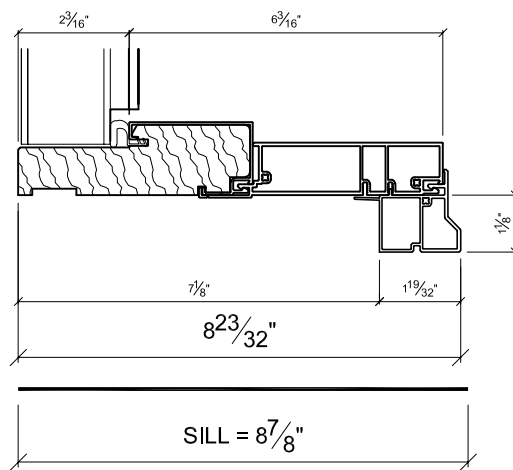
5 1/4" JAMB



6 5/8" JAMB



7 1/8" JAMB



7 5/8" JAMB

